

**KVR800D2N6K2/2G**  
**2GB (1GB 128M x 64-Bit x 2 pcs.)**  
**DDR2-800 CL6 240-Pin DIMM Kit**

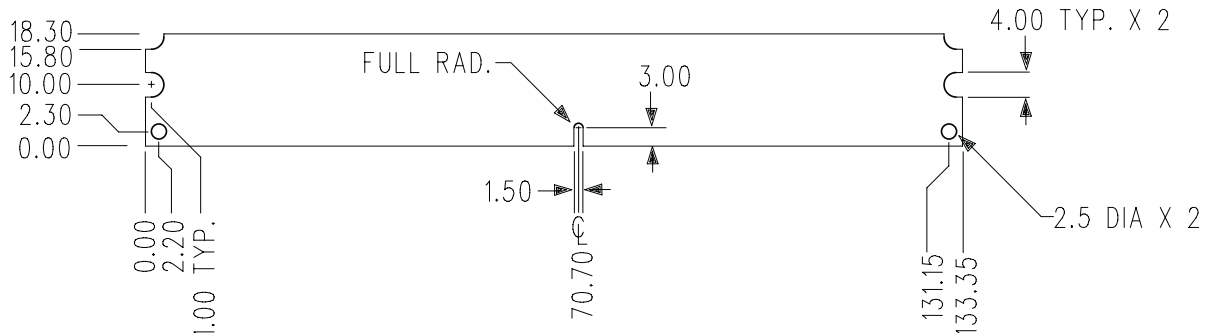
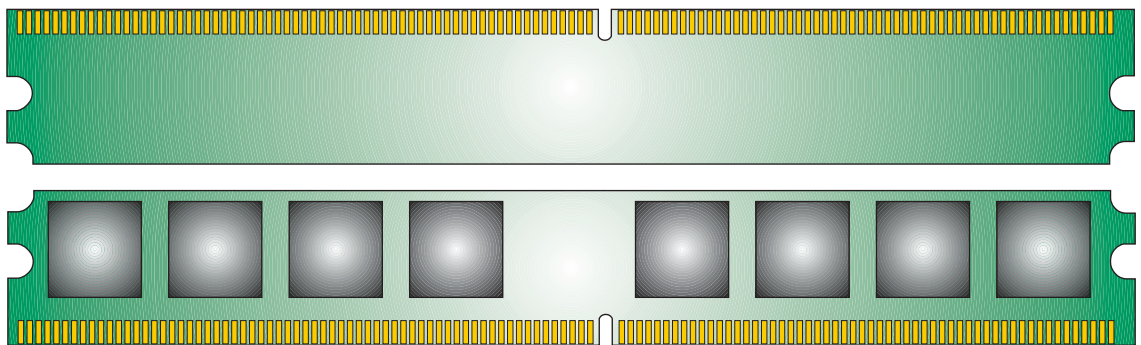
**DESCRIPTION:**

ValueRAM's KVR800D2N5K2/2G is a kit of two 128M x 64-bit (1GB) DDR2-800 CL6 SDRAM (Synchronous **DRAM**) memory modules. Total kit capacity is 2GB. The components on each module include eight 128M x 8-bit DDR2-800 SDRAM in FBGA packages. Each 240-pin DIMM uses gold contact fingers and requires +1.8V. The electrical and mechanical specifications are as follows:

**FEATURES:**

✓ Clock Cycle Time (tCK) CL=6	2.5ns (min.) / 8ns (max.)
✓ Row Cycle Time (tRC)	60ns (min.)
✓ Refresh to Active/Refresh Command Time (tRFC)	127.5ns
✓ Row Active Time (tRAS)	45ns (min.) / 70,000ns (max.)
✓ Single Power Supply of	+1.8V (+/- .1V)
✓ Power	1.3550 W (operating per module)
✓ UL Rating	94 V - 0

**Note:** The module defined in this data sheet is one of several configurations available under this part number. While all configurations are compatible, the DRAM combination and/or the module height may vary from what is described here.



**Figure 1: KVR800D2N6K2/2G 240-Pin DIMM Kit**